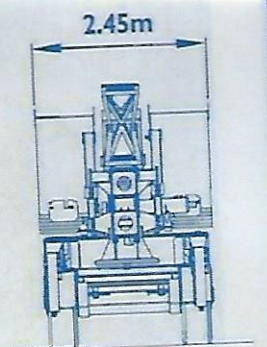
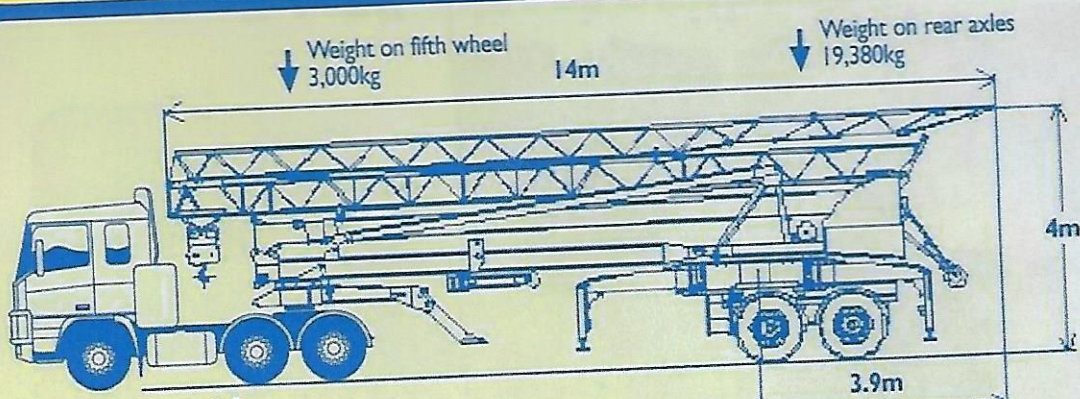
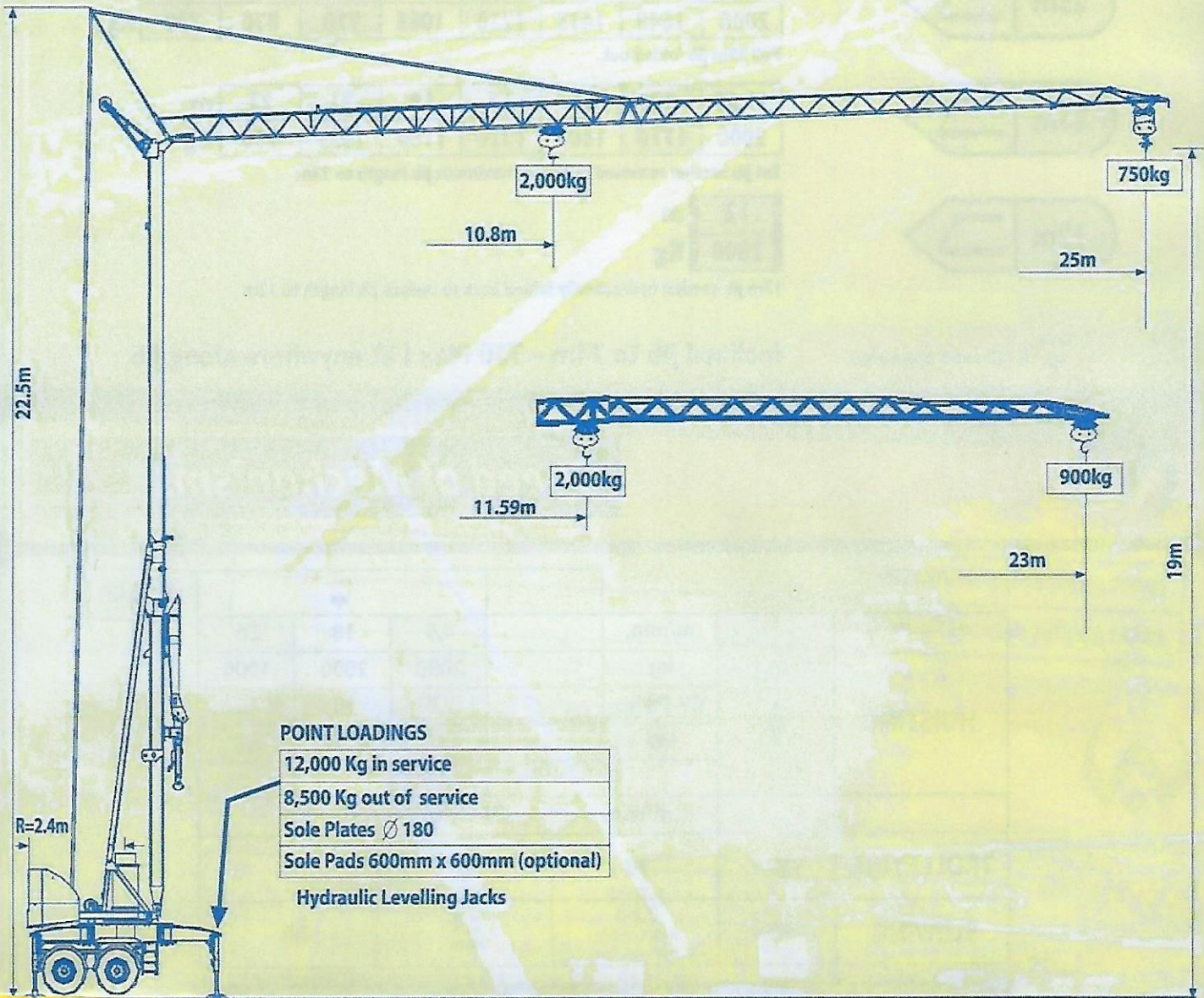


ANTIS

TC-25

CE DIN 15018



(From front of crane to fifth wheel)

(4.6m minimum must be maintained for erection/dismantling)